



Température d'utilisation : -40°C / + 50°C
Garantie 3 ans
IP68

Caractéristiques techniques

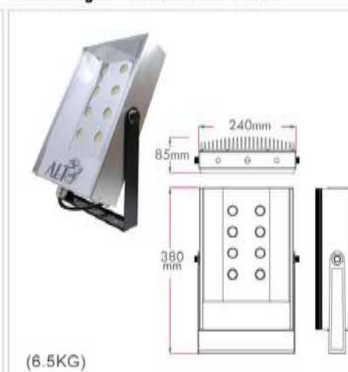
| Modèle | Couleur | Puissance consommée | Angle de vue | Tension d'entrée | Flux lumineux |
|---------|-------------|---------------------------|------------------|--------------------|----------------------------------|
| F02T25 | Blanc froid | 25W | 24° / 45° / 130° | 12/24Vdc 220Vac | CREE 1750 lm EPISTAR 1150lm |
| | Blanc chaud | | | | CREE 1350 lm EPISTAR 800 lm |
| F02T50 | Blanc froid | CREE 46W EPISTE 50W | 24° / 45° / 130° | 12/24Vdc 220Vac | CREE 3500 lm EPISTAR 2300 lm |
| | Blanc chaud | | | | CREE 2700 lm EPISTAR 1600 lm |
| F02T75 | Blanc froid | CREE 72W EPISTAR 75W | 24° / 45° / 130° | 12/24Vdc 220Vac | CREE 5250 lm EPISTAR 3450 m |
| | Blanc chaud | | | | CREE 4050 lm EPISTAR 2400 lm |
| F02T100 | Blanc froid | CREE 92W EPISTAR100W | 24° / 45° / 130° | 12/24Vdc 220Vac | CREE 7000 lm EPISTAR 4600 lm |
| | Blanc chaud | | | | CREE 5400 lm EPISTAR 3200m |
| F02T150 | Blanc froid | CREE 145W EPISTAR 150W | 24° / 45° / 130° | 12/24Vdc 220Vac | CREE 10500 lm EPISTAR 6900 lm |
| | Blanc chaud | | | | CREE 8100 lm EPISTAR 4800 lm |

Dimensions mécaniques

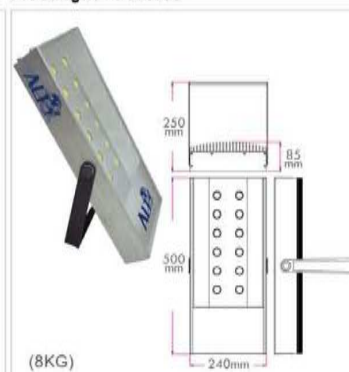
• Floodlight - F02t25



• Floodlight - F02t50 / t75 / t100

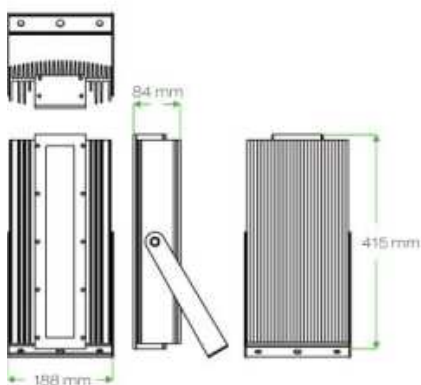


Floodlight - F02t150



F02 EXPLOSION PROOF FLOODLIGHT

OSHINO



| | | | |
|-------------------|---|--|---|
| Chipsets | CREE LEDS | Working Voltage | 100 - 240V AC |
| Power Consumption | 92 Watts | Frequency | 50 - 60 Hz |
| Beam Angle | 130° | Lumen Maintenance | 40,000 hours |
| Weight | 10 kg | Warranty | 3 Years Limited |
| Colors | True White Natural White Warm White | APPLICATIONS | |
| Lumen Output | 10200 lm | <ul style="list-style-type: none"> • Power Plants • Refineries • Offshore Drilling • Oil & Gas • Emergency Management • Environmental Services | <ul style="list-style-type: none"> • Chemical • Aviation/Aerospace • Painting/Coating • Marine/Ship Yards • Mining • Film/Entertainment |
| Operating Temp | -40°C to +85°C | | |



OSHINO LAMPS FRANCE – Téléport 3 – ZT Pyrène Aéro Pôle – 65290 Juillan

Tel. +33 (0)5 62 32 63 63 - Fax. +33 (0)5 62 32 63 65 E-mail : maryline.flottard@oshino-lamps.fr Website : www.oshino-lamps.com



REV. 1