

IBP

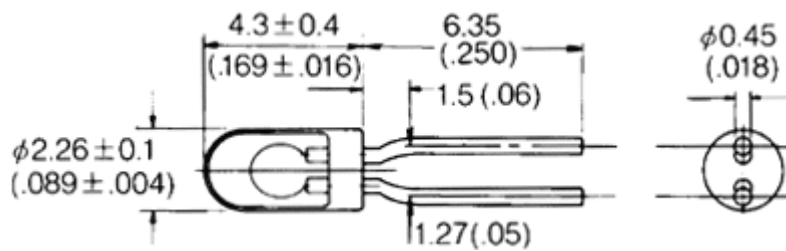
T-3/4 IBPS (Type-A)

Pin Spacing 1.27mm (.05")

Lamp Design Characteristics

Maximum length
4.7mm (.185")

Unit in mm (inch)



Line Nos.	Oshino Lamp Numbers	Design Volts	Design Amps	AVG. MSCd	Filament shape	Life (hours)
6	OL-2404IBPS/A	5.0	.02	.02	CC-6	20,000
7	OL-2400IBPS/A	5.0	.021	.034	CC-6	10,000
8	OL-6833IBPS/A	5.0	.06	.05	C-2R	100,000
9	OL-7133IBPS/A	5.0	.075	.09	C-2R	40,000
10	OL-7153IBPS/A	5.0	.115	.15	C-2R	40,000

Copyright © 2006 OSHINO LAMPS LIMITED All Rights Reserved.

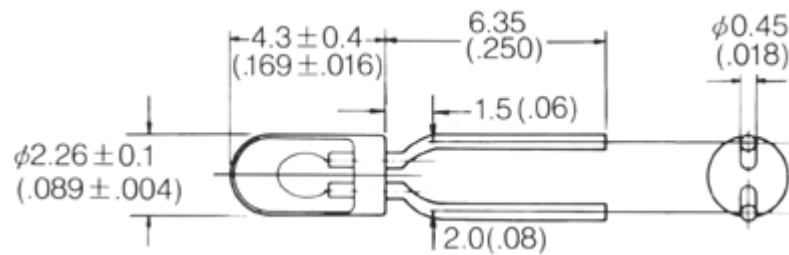
T-3/4 IBPS (Type-G)

Pin Spacing 2.0mm (.08")

Lamp Design Characteristics

Maximum length
4.7mm (.185")

Unit in mm (inch)



Line Nos.	Oshino Lamp Numbers	Design Volts	Design Amps	AVG. MSCd	Filament shape	Life (hours)
11	OL-2404IBPS/G	5.0	.02	.02	CC-6	20,000
12	OL-2400IBPS/G	5.0	.021	.034	CC-6	10,000
13	OL-6833IBPS/G	5.0	.06	.05	C-2R	100,000
14	OL-7133IBPS/G	5.0	.075	.09	C-2R	40,000
15	OL-7153IBPS/G	5.0	.115	.15	C-2R	40,000

Copyright © 2006 OSHINO LAMPS LIMITED All Rights Reserved.



IBP

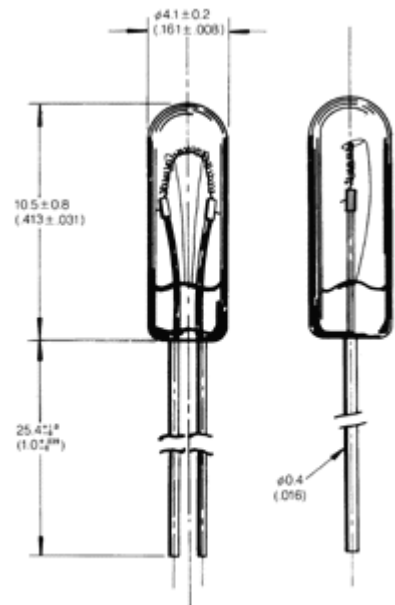
T-1 1/4 IBP

φ0.4mm(.016")Pins

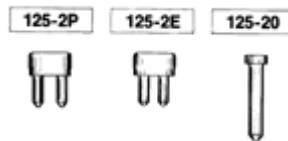
Line Nos.	Oshino Lamp Numbers	Design Volts	Design Amps	AVG. MSCd	Filament shape	Life (hours)
1	OL-583IBP	5.0	.06	.05	C-2R	100,000
2	OL-4003IBP	5.0	.075	.09	C-2R	40,000
3	OL-515IBP	5.0	.115	.15	C-2R	40,000
4	OL-4041IBP	6.0	.04	.04	C-2V	10,000
5	OL-2114IBP	6.0	.06	.13	C-2R	3,000
6	OL-634IBP	6.0	.20	.63	C-2R	500
7	OL-610IBP	6.3	.20	.55	C-2R	5,000
8	OL-4107IBP	10.0	.014	.004	C-2F	50,000
9	OL-4031IBP	12.0	.04	.12	C-2F	10,000
10	OL-4177IBP	12.0	.04	.04	C-2F	25,000
11	OL-4168IBP	14.0	.067	.175	C-2F	15,000
12	OL-640IBP	14.0	.08	.30	C-2F	15,000
13	OL-4029IBP	14.0	.08	.50	C-2F	1,500
14	OL-4185IBP	14.0	.10	.50	C-2F	10,000
15	OL-4096IBP	16.0	.03	.034	C-2F	25,000
16	OL-4059IBP	24.0	.035	.13	C-2F	25,000
17	OL-4073IBP	28.0	.024	.15	C-2F	5,000
18	OL-4132IBP	28.0	.04	.20	C-2F	25,000
19	OL-4008IBP	28.0	.04	.30	C-2F	7,000
20	OL-627IBP	28.0	.04	.34	C-2F	4,000

Lamp Design Characteristics

Unit in mm
(inch)



SOKETS APPLICABLE



Copyright © 2006 OSHINO LAMPS LIMITED All Rights Reserved.

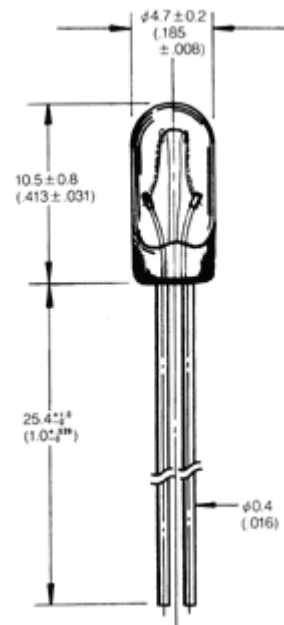
T-1 3/4 IBP

φ0.4mm(.016")Pins

Line Nos.	Oshino Lamp Numbers	Design Volts	Design Amps	AVG. MSCd	Filament shape	Life (hours)
1	OL-806IBP	5.0	.06	.05	C-2R	100,000
2	OL-6083IBP	5.0	.06	.15	C-2R	5,000
3	OL-6232IBP	5.0	.075	.09	C-2R	40,000
4	OL-807IBP	5.0	.115	.15	C-2R	40,000
5	OL-6225IBP	6.0	.06	.13	C-2R	3,000
6	OL-1784IBP	6.0	.20	.34@5V	C-2R	1,000
7	OL-6048IBP	6.3	.15	.45	C-2R	3,000
8	OL-2181IBP	6.3	.20	.40	C-2F	50,000
9	OL-2112IBP	6.3	.20	.55	C-2R	5,000
10	OL-2107IBP	10.0	.04	.08	C-2F	5,000
11	OL-6037IBP	12.0	.06	.15	C-2F	16,000
12	OL-2182IBP	14.0	.08	.30	C-2F	50,000
13	OL-1705IBP	14.0	.08	.50	C-2F	1,500
14	OL-2162IBP	14.0	.10	.50	C-2F	10,000
15	OL-2102IBP	18.0	.04	.15	C-2F	10,000
16	OL-6004IBP	24.0	.05	.50	C-2F	1,000
17	OL-2185IBP	28.0	.04	.20	C-2F	25,000
18	OL-2187IBP	28.0	.04	.30	C-2F	7,000
19	OL-1764IBP	28.0	.04	.34	C-2F	4,000
20	OL-1764LSV-IBP	28.0	.06	.34	C-2F	25,000
21	OL-361IBP	28.0	.06	.60	C-2F	5,000

Lamp Design Characteristics

Unit in mm (inch)



SOCKETS APPLICABLE

