

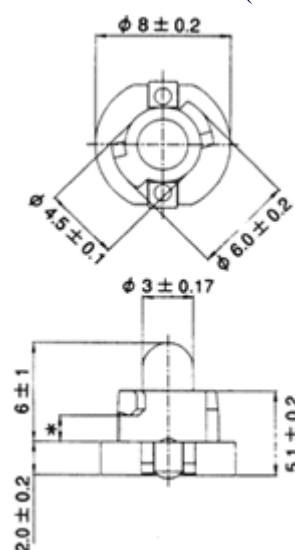
Circuit Board Lamps

T-1 NW

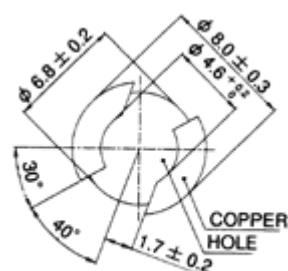
Characteristics					Part Number
Voltage	Current	Wattage	Brightness		
(V)	(mA)	(W)	(MSCP)	(Lm)	NW
5	60	0.30	0.05	0.6	OL-685NW
5	115	0.57	0.15	1.9	OL-718NW
12	60	0.72	0.15	1.9	OL-1099NW
12	60	0.72	0.20	2.5	OL-3507NW
14	40	0.56	0.12	1.5	OL-3323NW
14	40	0.56	0.15	1.9	OL-3229NW
14	50	0.70	0.20	2.5	OL-3444NW
14	60	0.84	0.25	3.1	OL-3506NW
14	60	0.84	0.36	4.5	OL-3579NW
14	65	0.90	0.15	1.9	OL-1112NW

Lamp Design Characteristics

Unit in mm
(inch)



RECOMMENDED MOUNT HOLE



PCB THICKNESS 1.45 ~ 1.65

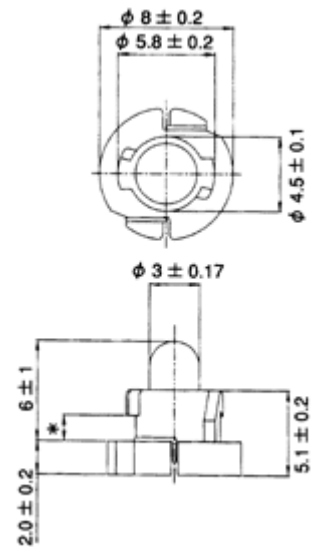
Copyright © 2006 OSHINO LAMPS LIMITED All Rights Reserved.

T-1 NWA

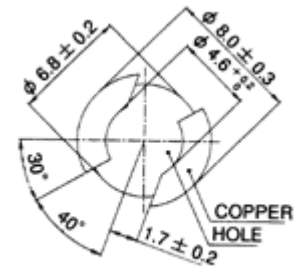
Characteristics					Part Number
Voltage	Current	Wattage	Brightness		NWA
(V)	(mA)	(W)	(MSCP)	(Lm)	
5	60	0.30	0.05	0.6	OL-685NWA
5	115	0.57	0.15	1.9	OL-718NWA
12	60	0.72	0.15	1.9	OL-1099NWA
12	60	0.72	0.20	2.5	OL-3507NWA
14	40	0.56	0.12	1.5	OL-3323NWA
14	40	0.56	0.15	1.9	OL-3229NWA
14	50	0.70	0.20	2.5	OL-3444NWA
14	60	0.84	0.25	3.1	OL-3506NWA
14	60	0.84	0.36	4.5	OL-3579NWA
14	65	0.90	0.15	1.9	OL-1112NWA

Lamp Design Characteristics

Unit in mm
(inch)



RECOMMENDED MOUNT HOLE



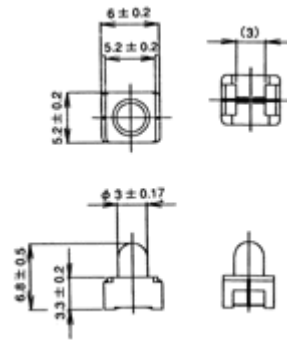
PCB THICKNESS 1.45 ~ 1.65

T-1 SMC/V-03

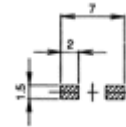
Characteristics					Part Number
Voltage (V)	Current (mA)	Wattage (W)	Brightness		SMC/V
			(MSCP)	(Lm)	
5	60	0.30	0.05	0.6	OL-685SMC/V-03
5	115	0.57	0.15	1.9	OL-718SMC/V-03
12	60	0.72	0.15	1.9	OL-1099SMC/V-03
12	60	0.72	0.20	2.5	OL-3507SMC/V-03
14	40	0.56	0.12	1.5	OL-3323SMC/V-03
14	40	0.56	0.15	1.9	OL-3229SMC/V-03
14	50	0.70	0.20	2.5	OL-3444SMC/V-03
14	60	0.84	0.25	3.1	OL-3506SMC/V-03
14	60	0.84	0.36	4.5	OL-3579SMC/V-03
14	65	0.90	0.15	1.9	OL-1112SMC/V-03

Lamp Design Characteristics

Unit in mm
(inch)



RECOMMENDED MOUNT PATTERN

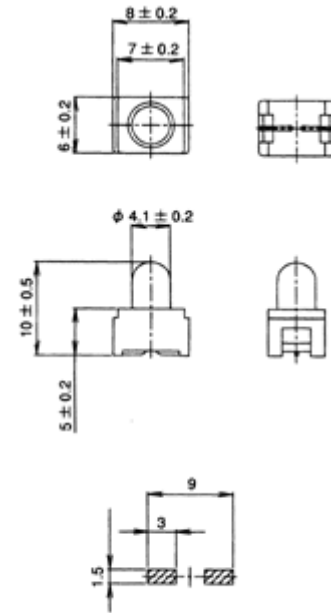


T-1 1/4 SMC/V

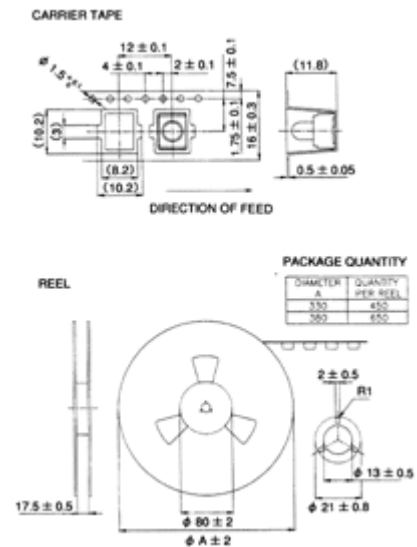
Characteristics					Part Number
Voltage	Current	Wattage	Brightness		
(V)	(mA)	(W)	(MSCP)	(Lm)	SMC/V
5	60	0.30	0.05	0.6	OL-585SMC/V
5	115	0.57	0.15	1.9	OL-518SMC/V
12	40	0.48	0.12	1.5	OL-4032SMC/V
12	60	0.72	0.15	1.9	OL-4106SMC/V
14	40	0.56	0.15	1.9	OL-4240SMC/V
14	67	0.94	0.175	2.2	OL-4222SMC/V
14	80	1.12	0.30	3.8	OL-4030SMC/V
14	100	1.40	0.50	6.3	OL-4186SMC/V
14	115	1.61	0.60	7.5	OL-4389SMC/V
28	40	1.12	0.30	3.8	OL-4009SMC/V

Lamp Design Characteristics

Unit in mm
(inch)



SMC/V TAPE REEL

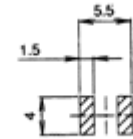
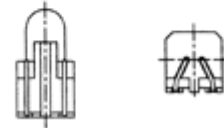
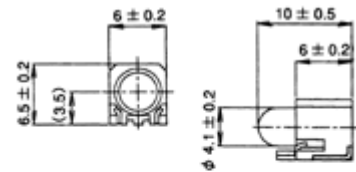


T-1 1/4 SMC/H

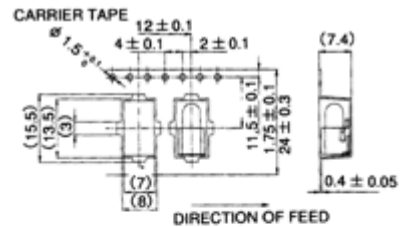
Characteristics					Part Number
Voltage	Current	Wattage	Brightness		
(V)	(mA)	(W)	(MSCP)	(Lm)	SMC/H
5	60	0.30	0.05	0.6	OL-585SMC/H
5	115	0.57	0.15	1.9	OL-518SMC/H
12	40	0.48	0.12	1.5	OL-4032SMC/H
12	60	0.72	0.15	1.9	OL-4106SMC/H
14	40	0.56	0.15	1.9	OL-4240SMC/H
14	67	0.94	0.175	2.2	OL-4222SMC/H
14	80	1.12	0.30	3.8	OL-4030SMC/H
14	100	1.40	0.50	6.3	OL-4186SMC/H
14	115	1.61	0.60	7.5	OL-4389SMC/H
28	40	1.12	0.30	3.8	OL-4009SMC/H

Lamp Design Characteristics

Unit in mm
(inch)

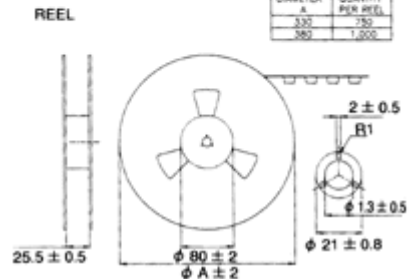


SMC/H TAPE REEL



PACKAGE QUANTITY

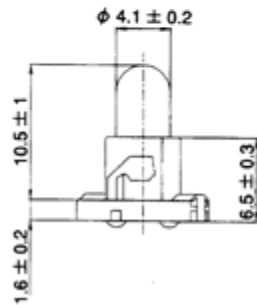
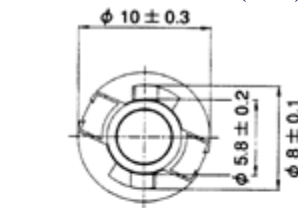
DIAMETER A	QUANTITY PER REEL
330	750
360	1,000



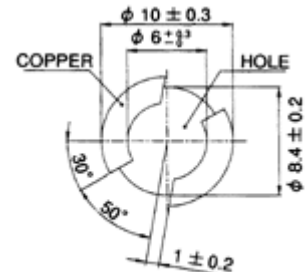
T-1 1/4 NW

Characteristics					Part Number
Voltage	Current	Wattage	Brightness		
(V)	(mA)	(W)	(MSCP)	(Lm)	NW
5	60	0.30	0.05	0.6	OL-585NW
5	115	0.57	0.15	1.9	OL-518NW
12	40	0.48	0.12	1.5	OL-4032NW
12	60	0.72	0.15	1.9	OL-4106NW
14	40	0.56	0.15	1.9	OL-4240NW
14	67	0.94	0.175	2.2	OL-4222NW
14	80	1.12	0.30	3.8	OL-4030NW
14	100	1.40	0.50	6.3	OL-4186NW
14	115	1.61	0.60	7.5	OL-4389NW
28	40	1.12	0.30	3.8	OL-4009NW

Lamp Design Characteristics
Unit in mm
(inch)



RECOMMENDED MOUNT HOLE

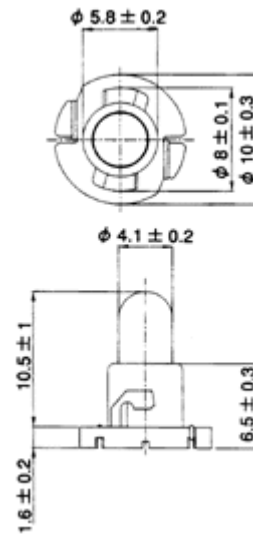


PCB THICKNESS 1.45 ~ 1.65

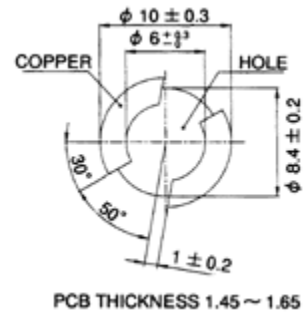
T-1 1/4 NWA

Characteristics					Part Number
Voltage	Current	Wattage	Brightness		NWA
(V)	(mA)	(W)	(MSCP)	(Lm)	
5	60	0.30	0.05	0.6	OL-585NWA
5	115	0.57	0.15	1.9	OL-518NWA
12	40	0.48	0.12	1.5	OL-4032NWA
12	60	0.72	0.15	1.9	OL-4106NWA
14	40	0.56	0.15	1.9	OL-4240NWA
14	67	0.94	0.175	2.2	OL-4222NWA
14	80	1.12	0.30	3.8	OL-4030NWA
14	100	1.40	0.50	6.8	OL-4186NWA
14	115	1.61	0.60	7.5	OL-4389NWA
28	40	1.12	0.30	3.8	OL-4009NWA

Lamp Design Characteristics
Unit in mm
(inch)



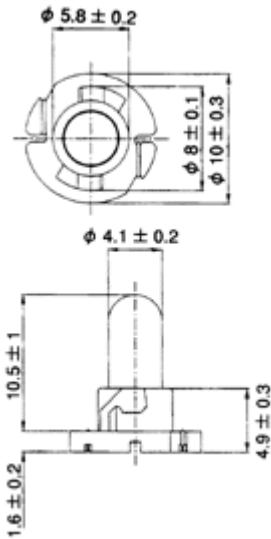
RECOMMENDED MOUNT HOLE



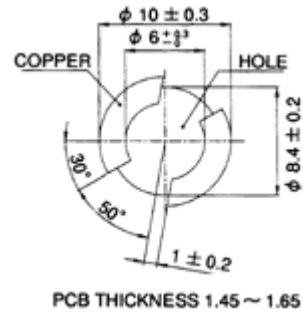
T-1 1/4 NWA4.9

Characteristics					Part Number
Voltage	Current	Wattage	Brightness		NWA-4.9
(V)	(mA)	(W)	(MSCP)	(Lm)	
5	60	0.30	0.05	0.6	OL-585NWA4.9
5	115	0.57	0.15	1.9	OL-518NWA4.9
12	40	0.48	0.12	1.5	OL-4032NWA4.9
12	60	0.72	0.15	1.9	OL-4106NWA4.9
14	40	0.56	0.15	1.9	OL-4240NWA4.9
14	67	0.94	0.175	2.2	OL-4222NWA4.9
14	80	1.12	0.30	3.8	OL-4030NWA4.9
14	100	1.40	0.50	6.3	OL-4186NWA4.9
14	115	1.61	0.60	7.5	OL-4389NWA4.9
28	40	1.12	0.30	3.8	OL-4009NWA4.9

Lamp Design Characteristics
Unit in mm
(inch)



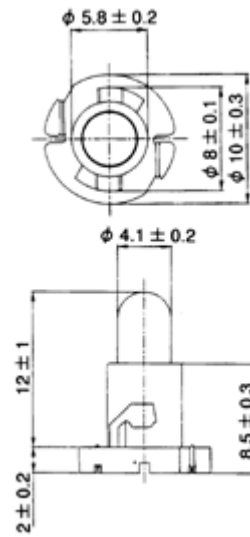
RECOMMENDED MOUNT HOLE



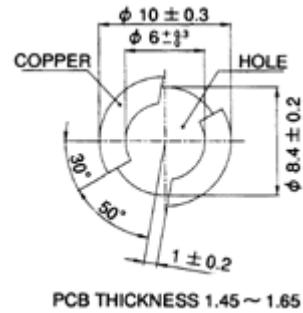
T-1 1/4 NWA8.5

Characteristics					Part Number
Voltage	Current	Wattage	Brightness		NWA-8.5
(V)	(mA)	(W)	(MSCP)	(Lm)	
5	60	0.30	0.05	0.6	OL-585NWA8.5
5	115	0.57	0.15	1.9	OL-518NWA8.5
12	40	0.48	0.12	1.5	OL-4032NWA8.5
12	60	0.72	0.15	1.9	OL-4106NWA8.5
14	40	0.56	0.15	1.9	OL-4240NWA8.5
14	67	0.94	0.175	2.2	OL-4222NWA8.5
14	80	1.12	0.30	3.8	OL-4030NWA8.5
14	100	1.40	0.50	6.3	OL-4186NWA8.5
14	115	1.61	0.60	7.5	OL-4389NWA8.5
28	40	1.12	0.30	3.8	OL-4009NWA8.5

Lamp Design Characteristics
Unit in mm
(inch)



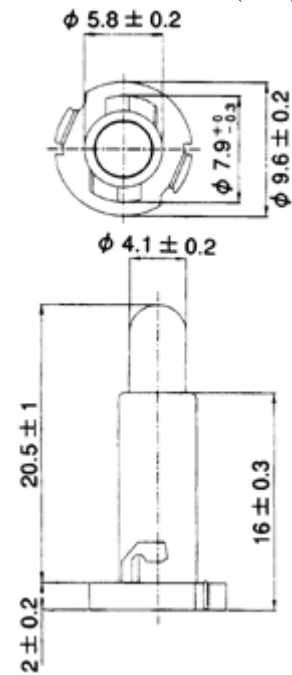
RECOMMENDED MOUNT HOLE



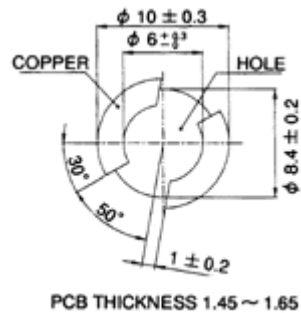
T-1 1/4 NWA16

Characteristics					Part Number
Voltage	Current	Wattage	Brightness		NWA16
(V)	(mA)	(W)	(MSCP)	(Lm)	
5	60	0.30	0.05	0.6	OL-585NWA16
5	115	0.57	0.15	1.9	OL-518NWA16
12	40	0.48	0.12	1.5	OL-4032NWA16
12	60	0.72	0.15	1.9	OL-4106NWA16
14	40	0.56	0.15	1.9	OL-4240NWA16
14	67	0.94	0.175	2.2	OL-4222NWA16
14	80	1.12	0.30	3.8	OL-4030NWA16
14	100	1.40	0.50	6.3	OL-4186NWA16
14	115	1.61	0.60	7.5	OL-4389NWA16
28	40	1.12	0.30	3.8	OL-4009NWA16

Lamp Design Characteristics
Unit in mm
(inch)



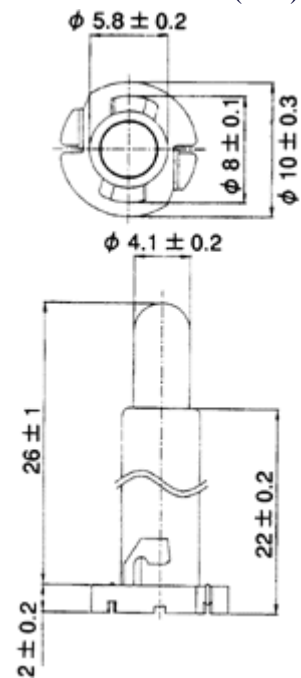
RECOMMENDED MOUNT HOLE



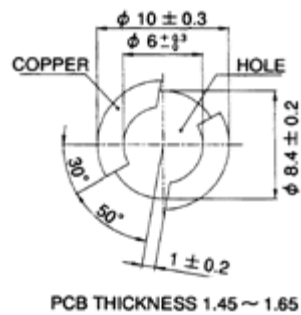
T-1 1/4 NWA22

Characteristics					Part Number
Voltage	Current	Wattage	Brightness		
(V)	(mA)	(W)	(MSCP)	(Lm)	NWA22
5	60	0.30	0.05	0.6	OL-585NWA22
5	115	0.57	0.15	1.9	OL-518NWA22
12	40	0.48	0.12	1.5	OL-4032NWA22
12	60	0.72	0.15	1.9	OL-4106NWA22
14	40	0.56	0.15	1.9	OL-4240NWA22
14	67	0.94	0.175	2.2	OL-4222NWA22
14	80	1.12	0.30	3.8	OL-4030NWA22
14	100	1.40	0.50	6.3	OL-4186NWA22
14	115	1.61	0.60	7.5	OL-4389NWA22
28	40	1.12	0.30	3.8	OL-4009NWA22

Lamp Design Characteristics
Unit in mm
(inch)



RECOMMENDED MOUNT HOLE

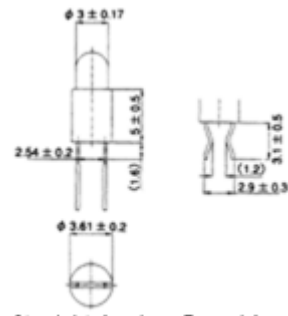


T-1 BPEI

Characteristics					Part Number
Voltage	Current	Wattage	Brightness		BPEI
(V)	(mA)	(W)	(MSCP)	(Lm)	
5	60	0.30	0.05	0.6	OL-685BPEI
5	115	0.57	0.15	1.9	OL-718BPEI
12	60	0.72	0.15	1.9	OL-1099BPEI
12	60	0.72	0.20	2.5	OL-3507BPEI
14	40	0.56	0.12	1.5	OL-3323BPEI
14	40	0.56	0.15	1.9	OL-3229BPEI
14	50	0.70	0.20	2.5	OL-3444BPEI
14	60	0.84	0.25	3.1	OL-3506BPEI
14	60	0.84	0.36	4.5	OL-3579BPEI
14	65	0.90	0.15	1.9	OL-1112BPEI

Lamp Design Characteristics

Unit in mm
(inch)



Straight Leads Formed Leads

RECOMMENDED MOUNT HOLE

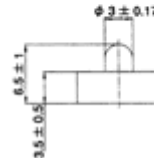
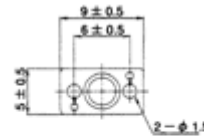


T-1 GT

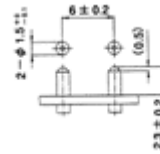
Characteristics					Part Number
Voltage	Current	Wattage	Brightness		
(V)	(mA)	(W)	(MSCP)	(Lm)	GT
5	60	0.30	0.05	0.6	OL-685GT
5	115	0.57	0.15	1.9	OL-718GT
12	60	0.72	0.15	1.9	OL-1099GT
12	60	0.72	0.20	2.5	OL-3507GT
14	40	0.56	0.12	1.5	OL-3323GT
14	40	0.56	0.15	1.9	OL-3229GT
14	50	0.70	0.20	2.5	OL-3444GT
14	60	0.84	0.25	3.1	OL-3506GT
14	60	0.84	0.36	4.5	OL-3579GT
14	65	0.90	0.15	1.9	OL-1112GT

Lamp Design Characteristics

Unit in mm
(inch)



RECOMMENDED MOUNT TERMINAL

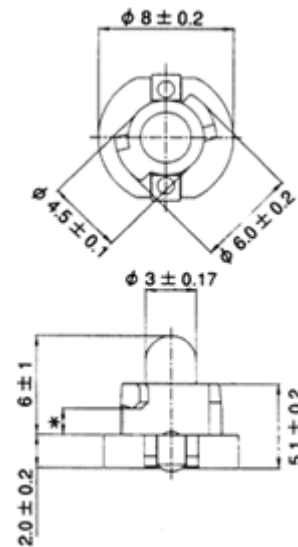


T-1 NW

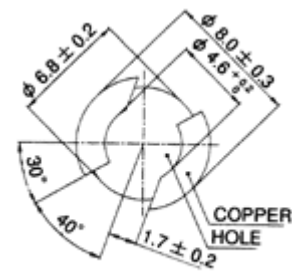
Characteristics					Part Number
Voltage	Current	Wattage	Brightness		NW
(V)	(mA)	(W)	(MSCP)	(Lm)	
5	60	0.30	0.05	0.6	OL-685NW
5	115	0.57	0.15	1.9	OL-718NW
12	60	0.72	0.15	1.9	OL-1099NW
12	60	0.72	0.20	2.5	OL-3507NW
14	40	0.56	0.12	1.5	OL-3323NW
14	40	0.56	0.15	1.9	OL-3229NW
14	50	0.70	0.20	2.5	OL-3444NW
14	60	0.84	0.25	3.1	OL-3506NW
14	60	0.84	0.36	4.5	OL-3579NW
14	65	0.90	0.15	1.9	OL-1112NW

Lamp Design Characteristics

Unit in mm
(inch)



RECOMMENDED MOUNT HOLE



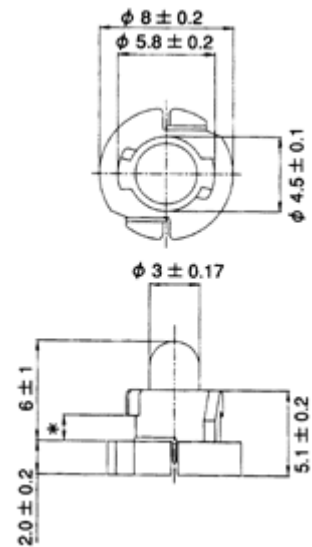
PCB THICKNESS 1.45 ~ 1.65

T-1 NWA

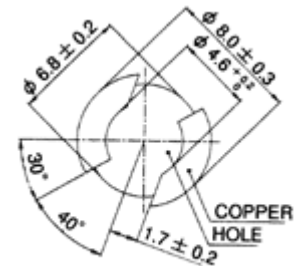
Characteristics					Part Number
Voltage	Current	Wattage	Brightness		NWA
(V)	(mA)	(W)	(MSCP)	(Lm)	
5	60	0.30	0.05	0.6	OL-685NWA
5	115	0.57	0.15	1.9	OL-718NWA
12	60	0.72	0.15	1.9	OL-1099NWA
12	60	0.72	0.20	2.5	OL-3507NWA
14	40	0.56	0.12	1.5	OL-3323NWA
14	40	0.56	0.15	1.9	OL-3229NWA
14	50	0.70	0.20	2.5	OL-3444NWA
14	60	0.84	0.25	3.1	OL-3506NWA
14	60	0.84	0.36	4.5	OL-3579NWA
14	65	0.90	0.15	1.9	OL-1112NWA

Lamp Design Characteristics

Unit in mm
(inch)



RECOMMENDED MOUNT HOLE



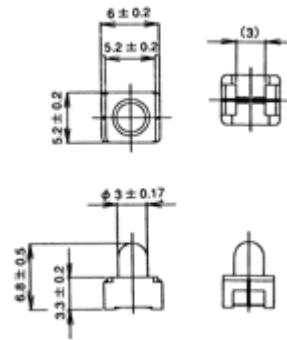
PCB THICKNESS 1.45 ~ 1.65

T-1 SMC/V-03

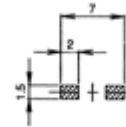
Characteristics					Part Number
Voltage (V)	Current (mA)	Wattage (W)	Brightness		SMC/V
			(MSCP)	(Lm)	
5	60	0.30	0.05	0.6	OL-685SMC/V-03
5	115	0.57	0.15	1.9	OL-718SMC/V-03
12	60	0.72	0.15	1.9	OL-1099SMC/V-03
12	60	0.72	0.20	2.5	OL-3507SMC/V-03
14	40	0.56	0.12	1.5	OL-3323SMC/V-03
14	40	0.56	0.15	1.9	OL-3229SMC/V-03
14	50	0.70	0.20	2.5	OL-3444SMC/V-03
14	60	0.84	0.25	3.1	OL-3506SMC/V-03
14	60	0.84	0.36	4.5	OL-3579SMC/V-03
14	65	0.90	0.15	1.9	OL-1112SMC/V-03

Lamp Design Characteristics

Unit in mm
(inch)



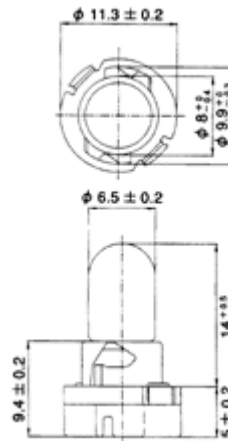
RECOMMENDED MOUNT PATTERN



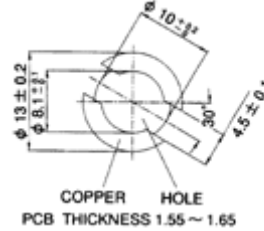
T-6.5 NWC

Characteristics					Part Number
Voltage	Current	Wattage	Brightness		NWC
(V)	(mA)	(W)	(MSCP)	(Lm)	
12	170	2.04	0.72	9.0	OL-7214NWC
12	220	2.64	1.80	22.6	OL-7218NWC
14	120	1.68	1.20	15.1	OL-7204NWC
14	150	2.10	1.00	12.6	OL-7202NWC
14	125	1.75	0.70	8.8	OL-7232NWC
14	140	1.96	0.80	10.1	OL-7220NWC
14	220	3.08	1.40	17.6	OL-7228NWC
14	240	3.36	1.80	22.6	OL-7208NWC
28	110	3.08	1.20	15.1	OL-7246NWC
28	110	3.08	1.60	20.1	OL-7212NWC

Lamp Design Characteristics
Unit in mm
(inch)



RECOMMENDED MOUNT HOLE

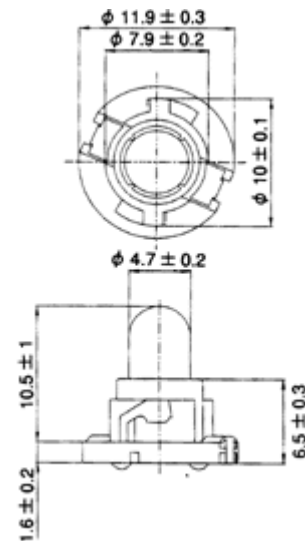


T-1 1/2 NW

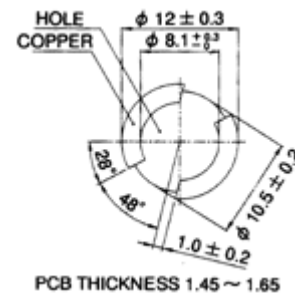
Characteristics					Part Number
Voltage	Current	Wattage	Brightness		
(V)	(mA)	(W)	(MSCP)	(Lm)	NW
12	40	0.48	0.12	1.5	OL-5006NW
12	60	0.72	0.15	1.9	OL-5025NW
12	100	1.20	0.36	4.5	OL-5033NW
14	40	0.56	0.15	1.9	OL-5059NW
14	60	0.84	0.20	2.5	OL-5109NW
14	80	1.12	0.30	3.8	OL-5015NW
14	80	1.12	0.56	7.0	OL-5094NW
14	100	1.40	0.50	6.3	OL-5021NW
14	130	1.82	0.70	8.8	OL-5069NW
28	40	1.12	0.30	3.8	OL-5017NW

Lamp Design Characteristics

Unit in mm
(inch)



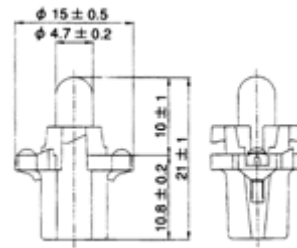
RECOMMENDED MOUNT HOLE



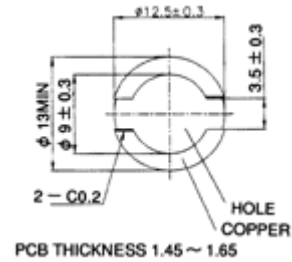
T-1 1/2 PBA

C haracteristics					Part Number
Voltage	Current	Wattage	Brightness		PBA
(V)	(mA)	(W)	(MSCP)	(Lm)	
12	40	0.48	0.12	1.5	OL-5006PBA
12	60	0.72	0.15	1.9	OL-5025PBA
12	100	1.20	0.36	4.5	OL-5033PBA
14	40	0.56	0.15	1.9	OL-5059PBA
14	60	0.84	0.20	2.5	OL-5109PBA
14	80	1.12	0.30	3.8	OL-5015PBA
14	80	1.12	0.56	7.0	OL-5094PBA
14	100	1.40	0.50	6.3	OL-5021PBA
14	130	1.82	0.70	8.8	OL-5069PBA
28	40	1.12	0.30	3.8	OL-5017PBA

Lamp Design Characteristics
Unit in mm
(inch)



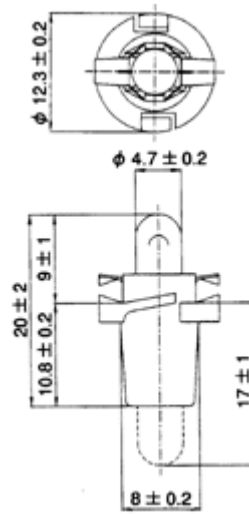
RECOMMENDED MOUNT HOLE



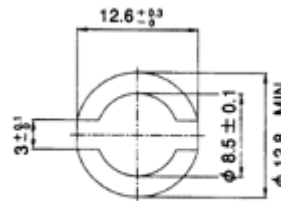
T-1 1/2 PBB

Characteristics					Part Number
Voltage	Current	Wattage	Brightness		PBB
(V)	(mA)	(W)	(MSCP)	(Lm)	
12	40	0.48	0.12	1.5	OL-5006PBB
12	60	0.72	0.15	1.9	OL-5025PBB
12	100	1.20	0.36	4.5	OL-5033PBB
14	40	0.56	0.15	1.9	OL-5059PBB
14	60	0.84	0.20	2.5	OL-5109PBB
14	80	1.12	0.30	3.8	OL-5015PBB
14	80	1.12	0.56	7.0	OL-5094PBB
14	100	1.40	0.50	6.3	OL-5021PBB
14	130	1.82	0.70	8.8	OL-5069PBB
28	40	1.12	0.30	3.8	OL-5017PBB

Lamp Design Characteristics
Unit in mm
(inch)



RECOMMENDED MOUNT HOLE



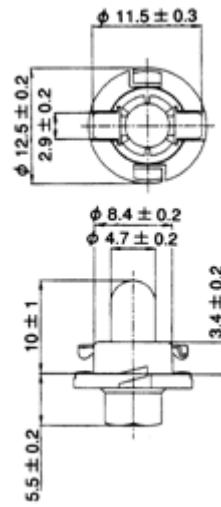
PCB THICKNESS 1.45 ~ 1.65

T-1 1/2 PBC

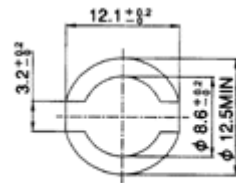
Characteristics					Part Number
Voltage	Current	Wattage	Brightness		PBC
(V)	(mA)	(W)	(MSCP)	(Lm)	
12	40	0.48	0.12	1.5	OL-5006PBC
12	60	0.72	0.15	1.9	OL-5025PBC
12	100	1.20	0.36	4.5	OL-5033PBC
14	40	0.56	0.15	1.9	OL-5059PBC
14	60	0.84	0.20	2.5	OL-5109PBC
14	80	1.12	0.30	3.8	OL-5015PBC
14	80	1.12	0.56	7.0	OL-5094PBC
14	100	1.40	0.50	6.3	OL-5021PBC
14	130	1.82	0.70	8.8	OL-5069PBC
28	40	1.12	0.30	3.8	OL-5017PBC

Lamp Design Characteristics

Unit in mm
(inch)



RECOMMENDED MOUNT HOLE



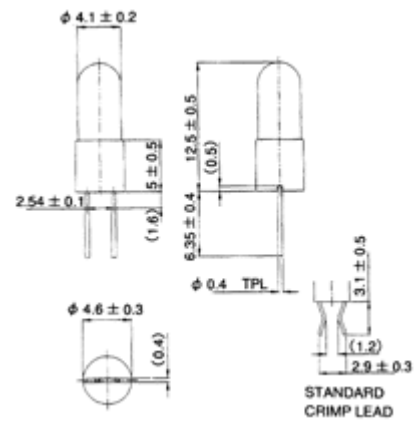
PCB THICKNESS 1.45 ~ 1.65

T-1 1/4 BPI

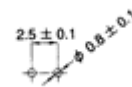
Characteristics					Part Number
Voltage	Current	Wattage	Brightness		BPI
(V)	(mA)	(W)	(MSCP)	(Lm)	
5	60	0.30	0.05	0.6	OL-585BPI
5	115	0.57	0.15	1.9	OL-518BPI
12	40	0.48	0.12	1.5	OL-4032BPI
12	60	0.72	0.15	1.9	OL-4106BPI
14	40	0.56	0.15	1.9	OL-4240BPI
14	67	0.94	0.175	2.2	OL-4222BPI
14	80	1.12	0.30	3.8	OL-4030BPI
14	100	1.40	0.50	6.3	OL-4186BPI
14	115	1.61	0.60	7.5	OL-4389BPI
28	40	1.12	0.30	3.8	OL-4009BPI

Lamp Design Characteristics

Unit in mm
(inch)



RECOMMENDED MOUNT HOLE

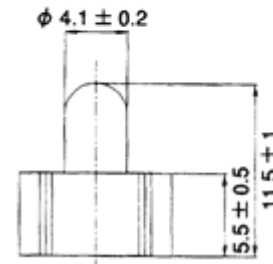
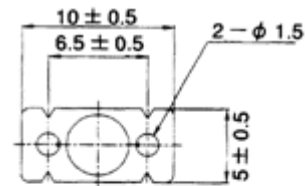


T1 1/4 GT

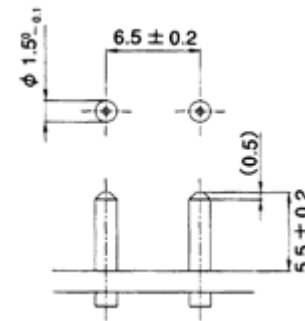
Characteristics					Part Number
Voltage	Current	Wattage	Brightness		GT
(V)	(mA)	(W)	(MSCP)	(Lm)	
5	60	0.30	0.05	0.6	OL-585GT
5	115	0.57	0.15	1.9	OL-518GT
12	40	0.48	0.12	1.5	OL-4032GT
12	60	0.72	0.15	1.9	OL-4106GT
14	40	0.56	0.15	1.9	OL-4240GT
14	67	0.94	0.175	2.2	OL-4222GT
14	80	1.12	0.30	3.8	OL-4030GT
14	100	1.40	0.50	6.3	OL-4186GT
14	115	1.61	0.60	7.5	OL-4389GT
28	40	1.12	0.30	3.8	OL-4009GT

Lamp Design Characteristics

Unit in mm
(inch)



RECOMMENDED MOUNT HOLE



Copyright © 2006 OSHINO LAMPS LIMITED All Rights Reserved.